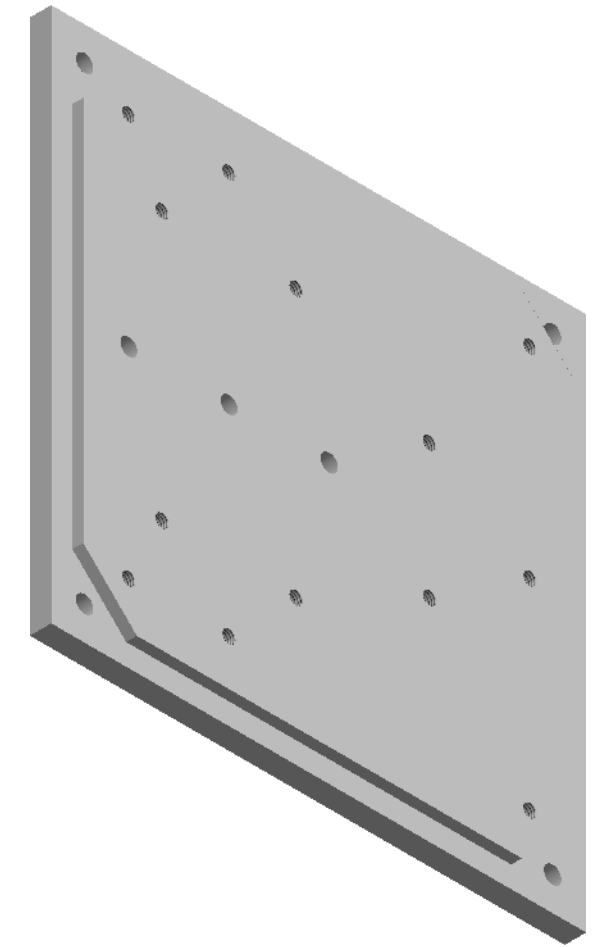
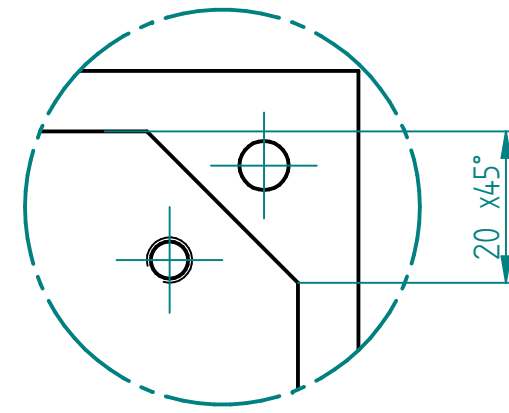
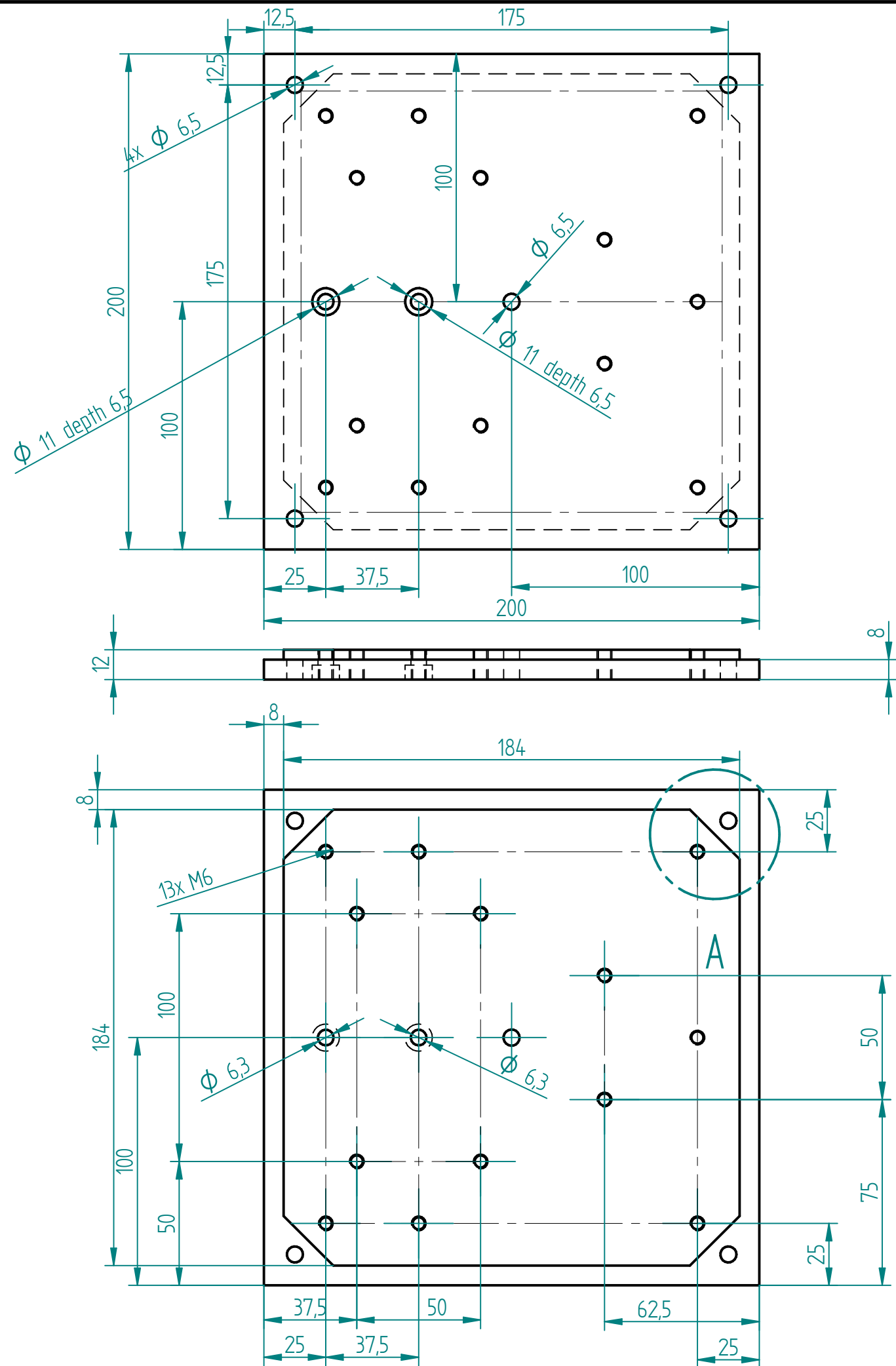


REVISION HISTORY			
REV	DESCRIPTION	DATE	APPROVED



 Edges: ISO 13715		Material: Aluminium 6060 AlMgSi0.5		Sheet 1 OF 1	
		Surface: Black anodized		Size: A3	Scale:
General tolerance: ISO 2768 - mK	Rev a	Date 10/01/17	Name C.Guirao	File Name: BasePlate200x200.dft	
	Project: WhiteLaser Project				
WhiteLaser by Spectroscopy CAOS spectroscopy.wordpress.com is licensed under a Creative Commons Attribution 3.0 Unported License.					