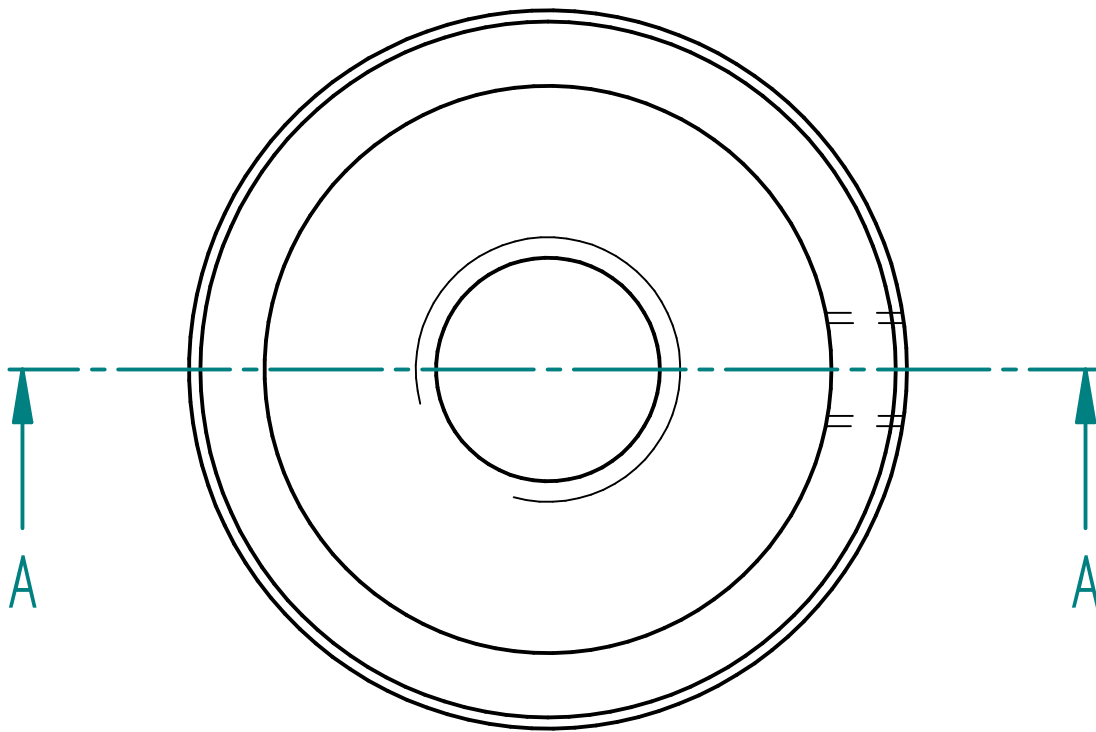
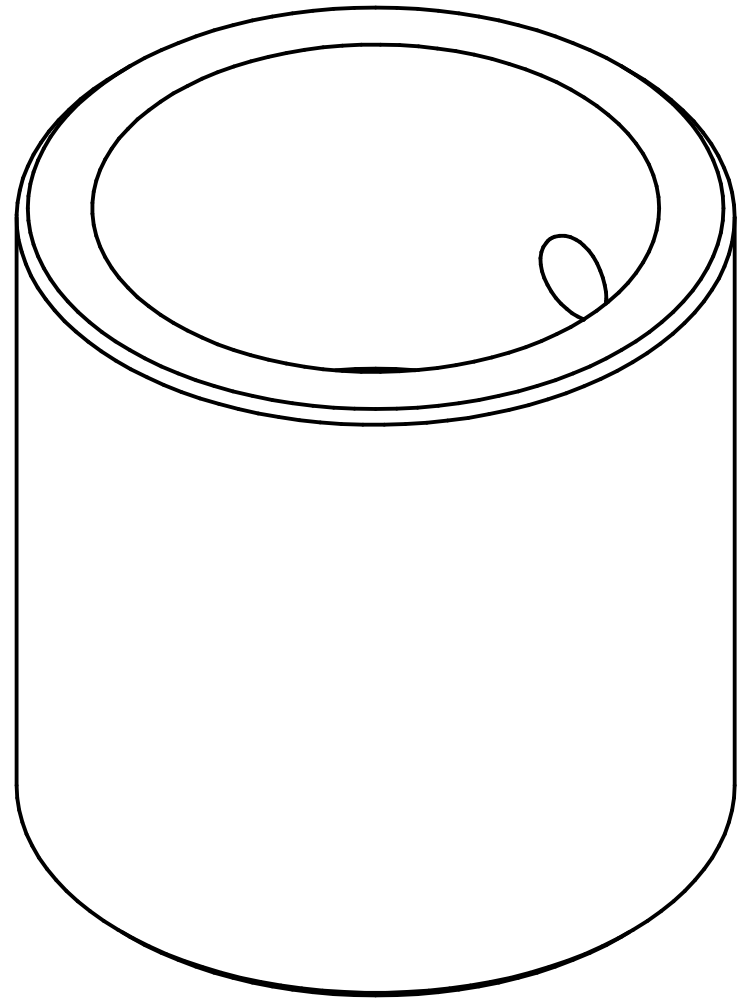


SECTION A-A



REVISION HISTORY			
REV	DESCRIPTION	DATE	APPROVED



Material: Aluminium black anodized

	NAME	DATE
DRAWN	cguirao	01/20/13
CHECKED		
ENG APPR		
MGR APPR		

SOLID EDGE UGS - The PLM Company		
TITLE		
SIZE A3	DWG NO	REV
FILE NAME: FiberHolderC.dft		
SCALE: 5:1	WEIGHT:	SHEET 1 OF 1

UNLESS OTHERWISE SPECIFIED
DIMENSIONS ARE IN MILLIMETERS
ANGLES ±X.X°
2 PL ±X.XX 3 PL ±X.XXX